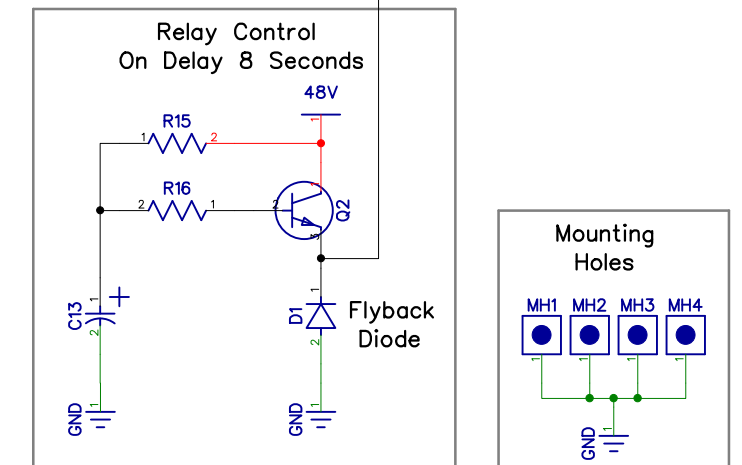
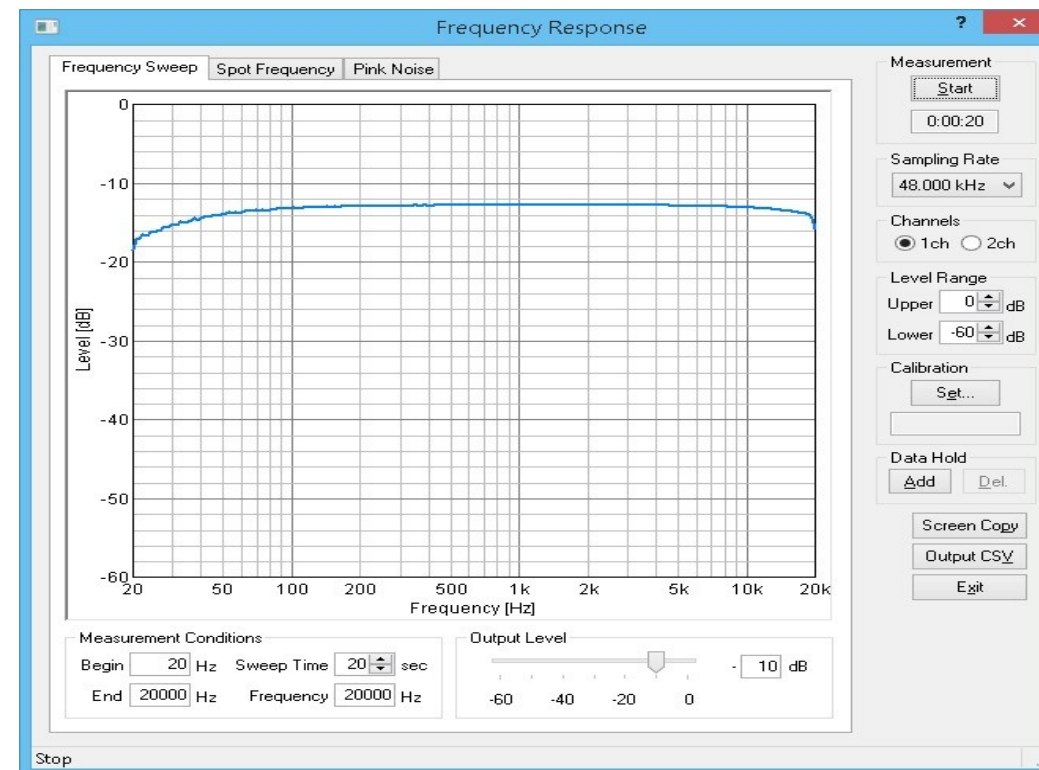
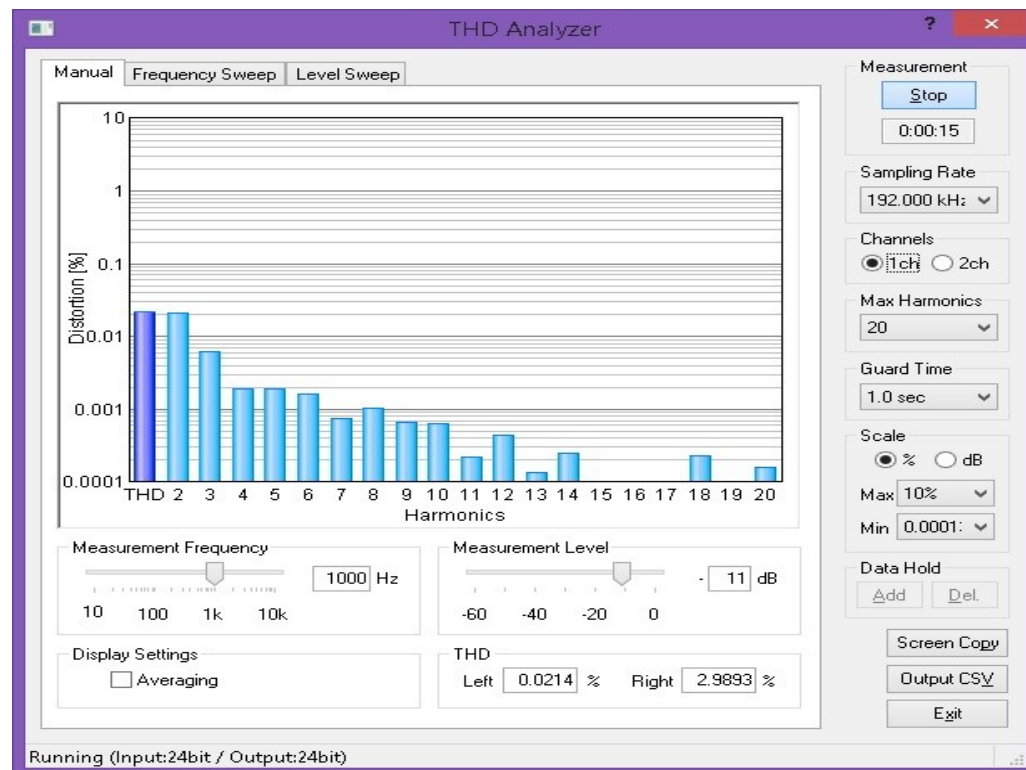
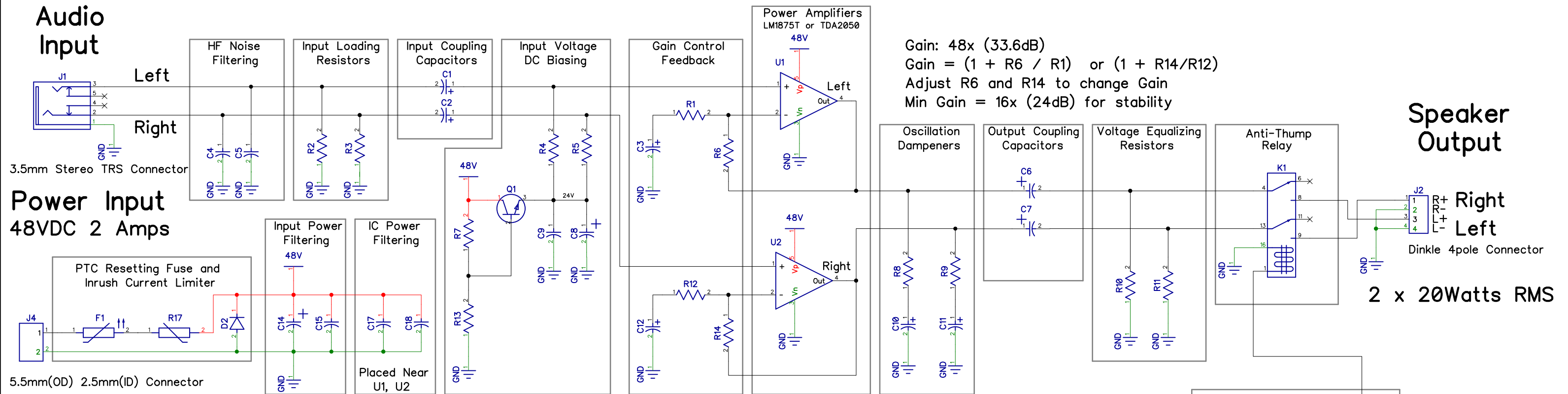


# CleanAMP

## Clean Power Amplifier Module



Designed to fit Hammond 1455J1201

# ubld.it

Copyright 2016, UblD Electronics, LLC.

Bare PCBs and Kits Available at <http://ubld.it>

CleanAMP		
ubld electronics		R3
10/9/2016	Chris K Cockrum	Sheet 1