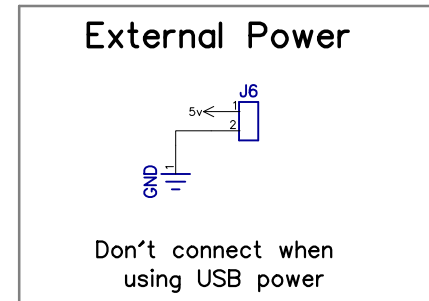
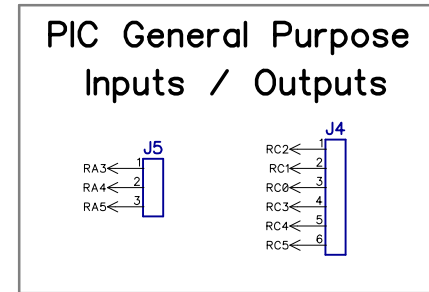
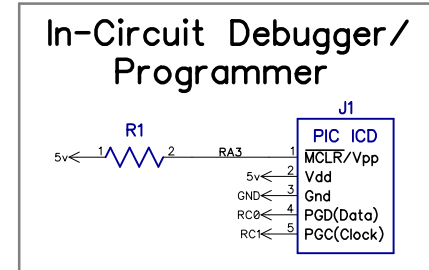
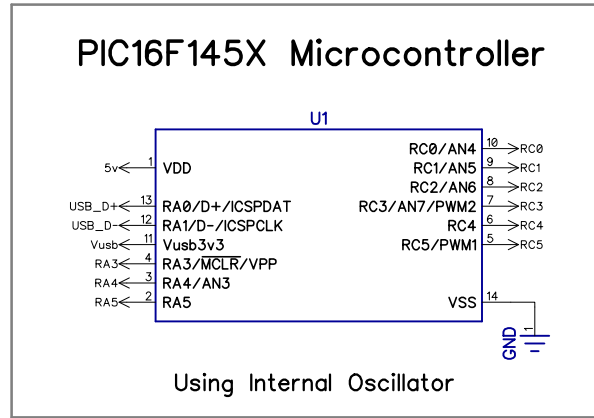
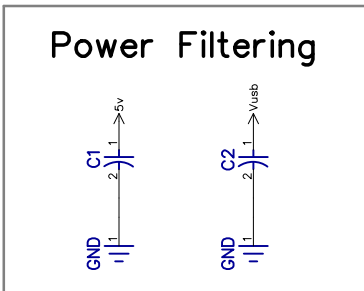
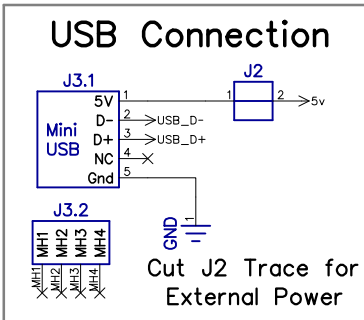


PIC16F145X USB Breakout Board



Bare PCBs and Kits Available at
<http://ubld.it>

ubld.it

PIC16F145X USB BB		
ubld electronics		A
3/2/14	Chris K Cockrum	Sheet 1