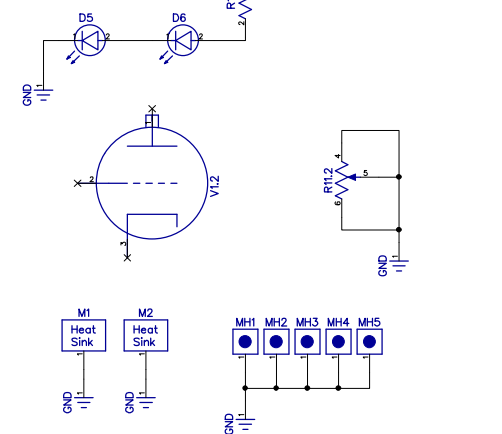
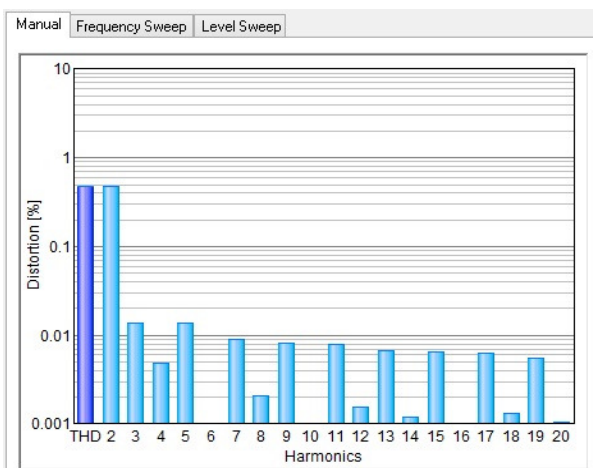
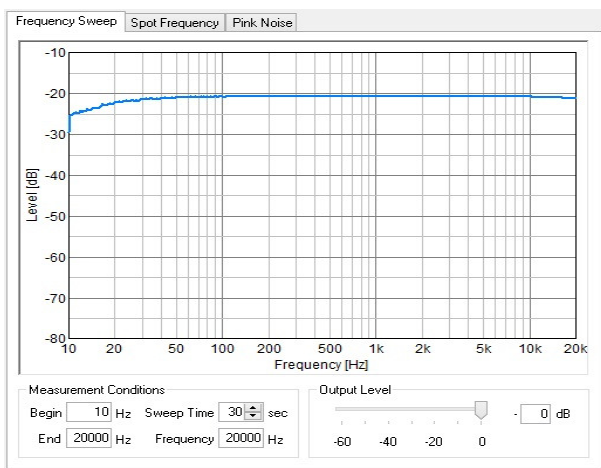
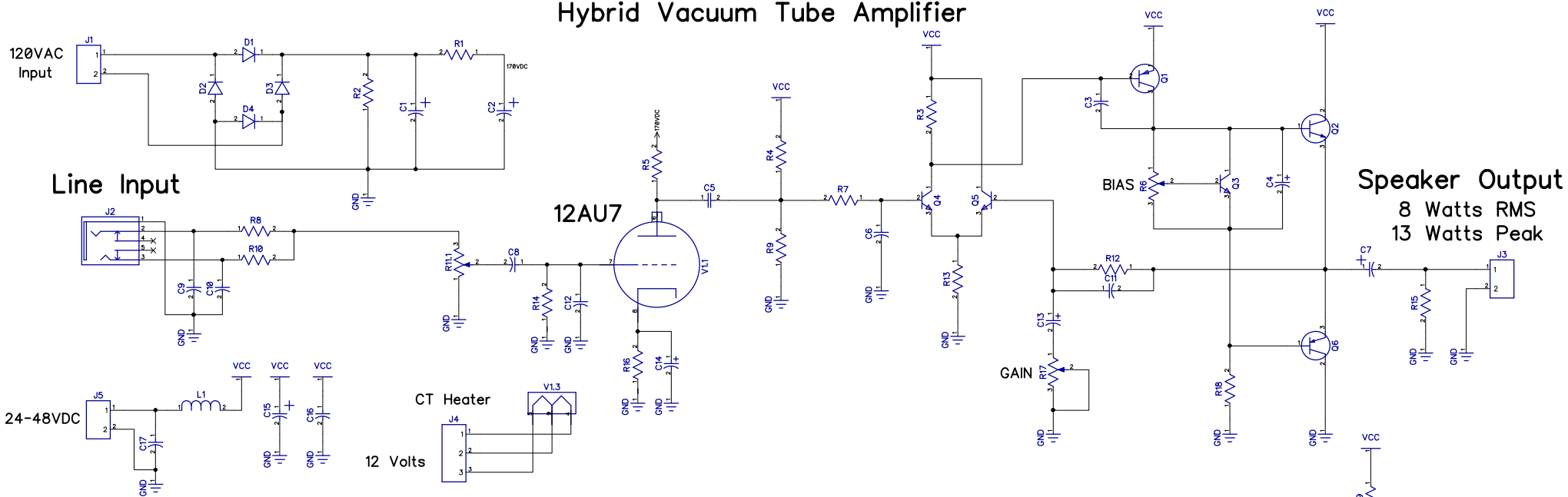


Tubeamp

Hybrid Vacuum Tube Amplifier



Tubeamp		
ubld electronics		1.0
2/23/14	Chris K Cockrum	Sheet 1

Bare PCBs and Kits Available at <http://ubld.it>